

MAXIMATOR Gas Packs Type GL

The MAXIMATOR High Pressure Gas Pack type “GL” are mobile booster station, suitable to compress different kind of gases. The high-quality manufacturing as well as the high grade stainless steel components ensure highest durability and process reliability. The panel mounted instruments and the ergonomically design ensures safe and easy operation and process control.

The pressure generating unit and all high pressure components are MAXIMATOR brand – proved for the highest quality.



Basis Station consisting of :

Stainless steel protection frame on wheels, including panel mounted control and operating elements,

Air control unit, consisting of pressure gauge , shut-off valve and combined filter pressure regulator,

Pneumatic stroke counter, type 8-digit,

Gas inlet connection incl. shut-off valve,

Gas inlet filter,

Gas inlet pressure gauge (diameter 100 mm), liquid damped, accuracy 1.0, dual scale bar / psi,

Working pressure gauge (diameter 100 mm), liquid damped, accuracy 1.0, dual scale bar / psi,

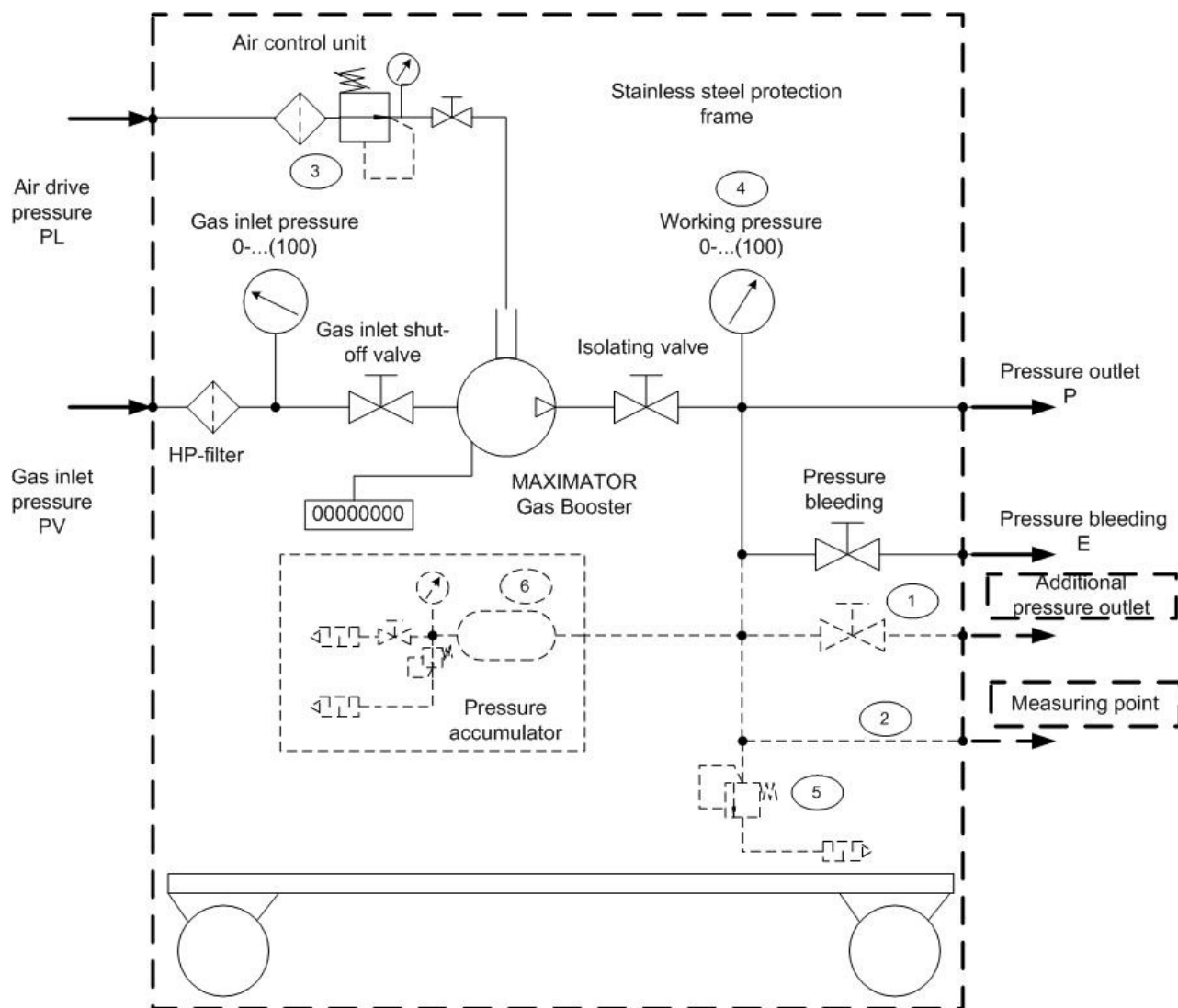
Manual pressure bleed valve type EVH,

Pressure outlet incl. shut-off valve type AV1,

Technical specification			
Pressure range:	0 – 1.500 bar	Height:	1.180 mm
Connection:	Depending on booster	Width:	500 mm
Weight	30 - 50 kg	Depth:	560 mm

- Available options are:
- Additional pressure outlet incl. isolating valve (1)
 - Measuring connection (plugged) (2)
 - Stainless steel air drive piping (3)
 - Pneumatic remote control (Start / Stop)
 - Electric remote control (Start / Stop)
 - Gas inlet / Gas outlet pilot switch (pneumatic)
 - DKD calibration certificate for high pressure gauge (4)
 - Pressure gauge diameter \varnothing 160 mm (4)
 - Chart recorder type 0-1.000 bar with multi-programmable clock, incl. 50 charts and 1 pen, not panel mounted,
 - Chart recorder type 0-1.600 bar with multi-programmable clock, incl. 50 charts and 1 pen, not panel mounted,
 - High pressure safety relief valve (up to 600 bar) (5)
 - High pressure safety relief valve (up to 1.500 bar) (5)
 - Pressure accumulator incl. pressure gauge, pressure bleed valve and safety relief valve type 330 bar (6)
 - Pressure accumulator incl. pressure gauge, pressure bleed valve and safety relief valve type 1.000 bar (6)
 - Oxygen cleaning
 - Leakage piping for hazardous gas application

Functional diagram:



Remarks:

Availability of options depends on type of gas