

## MAXIMATOR Power Packs Type LS

The MAXIMATOR High Pressure Test Pack type “LS” are absolute lightweight and compact pump units, suitable for oil, water and chemical service. The high-quality manufacturing as well as the high grade stainless steel components ensure highest durability and process reliability.

The pressure generating unit and all high pressure components are MAXIMATOR brand – proved for the highest quality.



Basis Station consisting of:

Stainless steel protection frame incl. panel mounted control and operating elements,

Air control unit, consisting of pressure gauge , shut-off valve and combined filter pressure regulator,

Air safety valve set on the required pressure,

5-litre plastic tank complete and suction strainer,

Working pressure gauge (diameter 100 mm), liquid damped, accuracy 1.0, dual scale bar / psi,

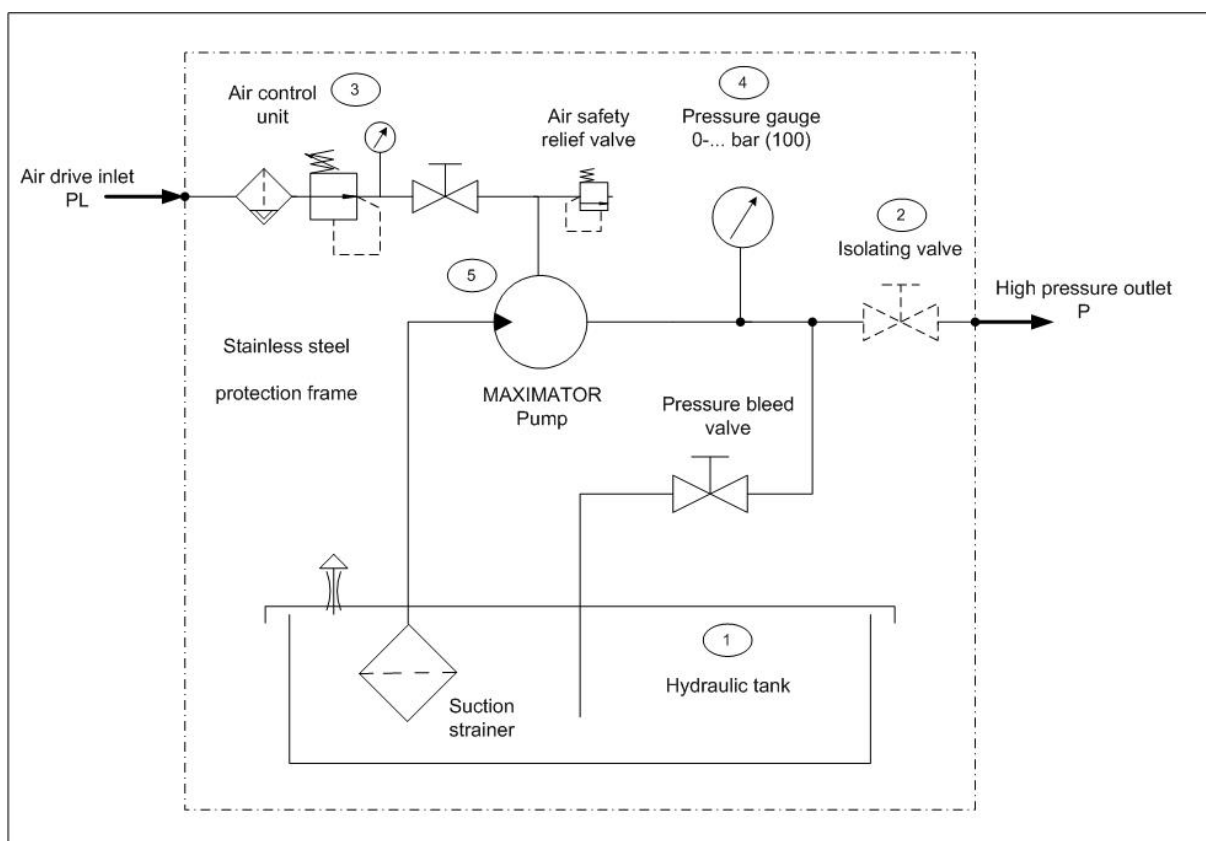
Manual pressure bleed valve back to the tank,

Pressure outlet type A1,

Technical specification			
Pressure range:	0 – 2.200 bar	Height:	480 mm
Connection:	BSP ¼”, M4, H4	Width:	270 mm
Weight	13 - 20 kg	Depth:	340 mm

- Available options are:
- Stainless steel tank complete, type 6,5 litre (1)
  - Pressure outlet incl. shut-off valve type AV1 (2)
  - Stainless steel air control unit and air drive piping (3)
  - DKD calibration certificate for high pressure gauge (4)
  - Hand lever option for MAXIMATOR pump (5)

Functional diagram:



Remarks : Power pack type LS with 5 / 6,5 litre tank can be equipped with the MAXIMATOR M-Series (M22 - M189)

The M-Pumps are also available with hand lever attachment (M22-01HL - M189-01HL)